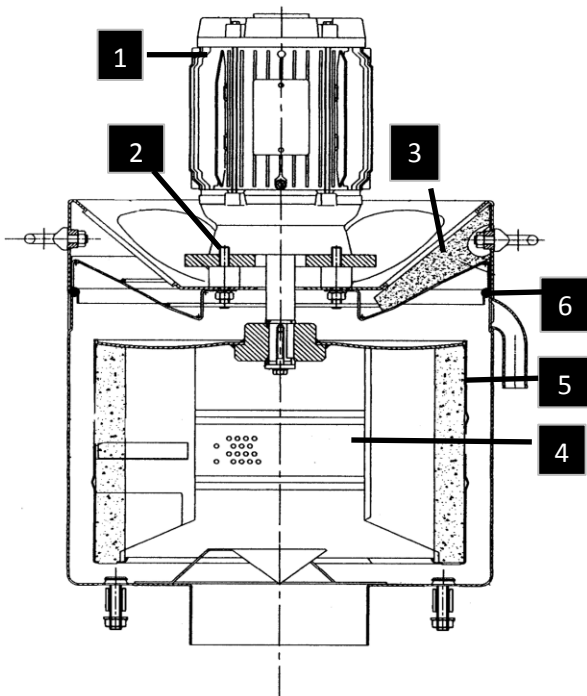
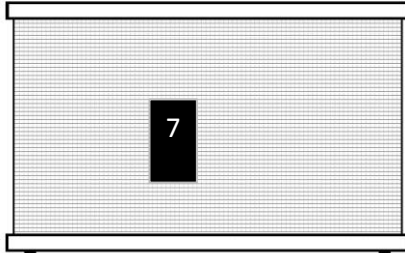


Product Installation Manual  
**Replacement Parts**

# FILTERMIST XCEL 2



ITEM #	DESCRIPTION	MODEL #	PART #
1	Motor 230/460V	FX2100	2055TAV
		FX31/4100	4011TT3AV
		FX5100	5015TT3AV
		FX6100	6022TT3AV
1	Motor 575V	FX2100	O55575
		FX31/4100	O15575
		FX5/6100	O22575
2	Anti-vibration Mounts	FX2100	DBOF2530/7
		FX3/4/5/61	7000AVK
3	Silencer	FX2100	DBOF2510
		FX3/4/5100	3005SIL
		FX6100	3005SIL
4	Drum	FX2100	2004DRU
		FX3/4100	3004DRU
		FX5100	5004DRU
		FX6100	6004DRU
5	Drum Pad Sets	FX2100	DROF2500
		FX3/4100	3008PAD
		FX5100	5008PAD
		FX6100	5008PAD
6	Seal	FX2100	2009
		FX3/4100	3009
		FX6100	3009
7	Afterfilters	FX2100	2300AFA
		FX3/4/5100	3000AFA
		FX6100	3000AFA



**AMT MACHINE TOOLS LIMITED**  
 73 Galaxy Blvd., Units 16 & 17  
 Rexdale, Ontario M9W 5T4  
 Tel: (416) 675-7760  
 Fax: (416) 675-6988