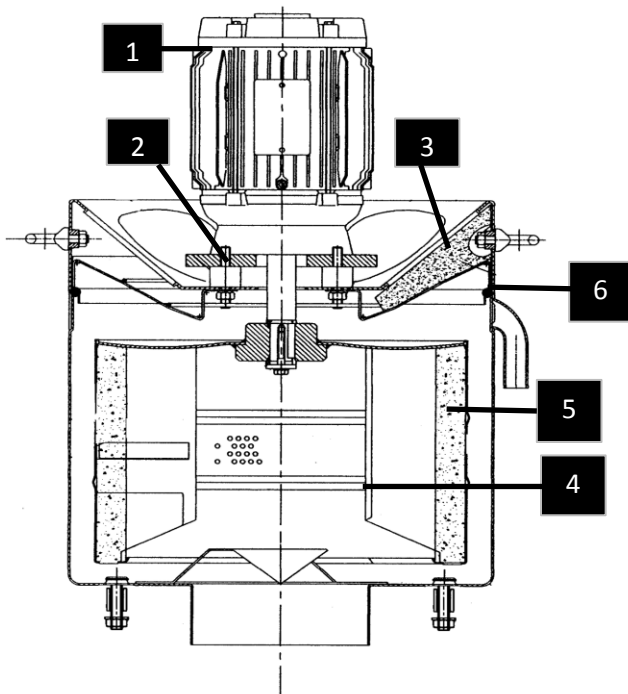
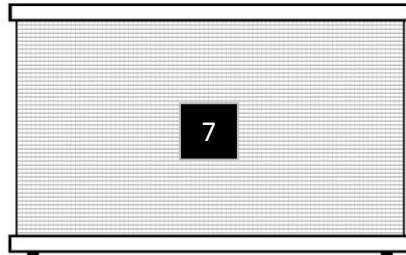


Product Installation Manual
Replacement Parts

FILTERMIST XCEL 2



ITEM #	DESCRIPTION	MODEL #	PART #
1	Motor 230/460V	FX2/3002	2055TAV
		FX4002	4011TT3AV
		FX5002	5015TT3AV
		FX6002	6022TT3AV
1	Motor 575V	FX2/3002	O55575
		FX4002	O15575
		FX5/6002	O22575
2	Anti-vibration Mounts	FX2/3002	DBOF2530/7
		FX4/5/6002	7000AVK
3	Silencer	FX2/3002	DBOF2510
		FX4/5002	3005SIL
		FX6002	DBOF4510/7
4	Drum	FX2002	2004DRU
		FX3002	2304DRU
		FX4002	3004DRU
		FX5002	5004DRU
		FX6002	6204DRU
5	Drum Pad Sets	FX2002	DROF2500
		FX3002	2308PAD
		FX4002	3008PAD
		FX5002	5008PAD
		FX6002	DROF2800
6	Seal	FX2/3002	2009
		FX4/5002	3009
		FX6002	7009
7	Afterfilters	FX2/3002	2300AFA
		FX4/5002	3000AFA
		FX6002	7000AFA



AMT MACHINE TOOLS LIMITED

73 Galaxy Blvd., Units 16 & 17
 Rexdale, Ontario M9W 5T4

Tel: (416) 675-7760
 Fax: (416) 675-6988