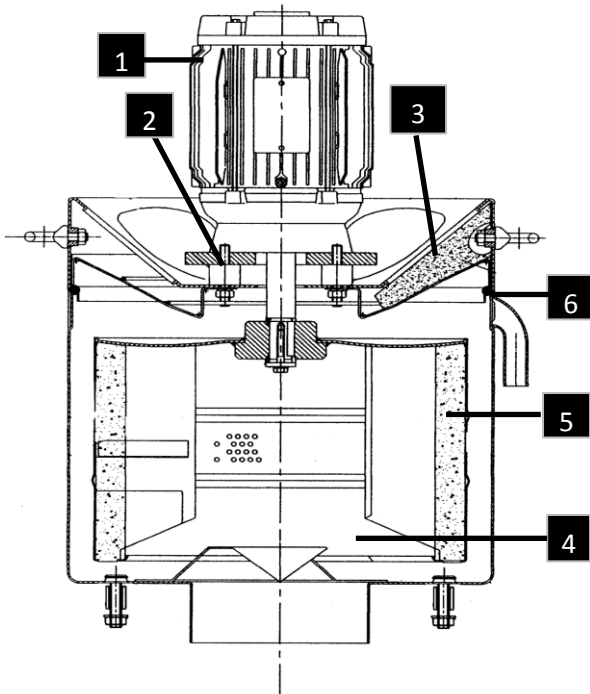
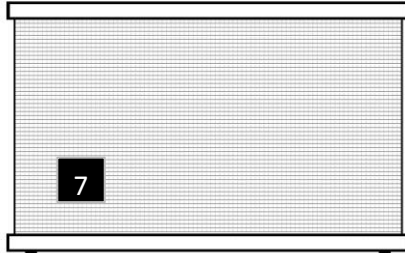


Product Installation Manual
Replacement Parts

FILTERMIST *SERIES*
 OIL MIST FILTER



ITEM #	DESCRIPTION	MODEL #	PART #
1	Motor 230/460V	S4/800	2055TAV
1	Motor 575V	S4/800	O55575
2	Anti-vibration Mounts	S4/800	DBOF2530
3	Silencer	S4/800	S4812SIL
4	Drum	S400 S800	S4012DRU S8012DRU
5	Drum Pad Sets	S400 S800	DROF2500 2308PAD
6	Seal	S4/800	2009
7	Afterfilters	S4/800	2300AFA



AMT MACHINE TOOLS LIMITED
 73 Galaxy Blvd., Units 16 & 17
 Rexdale, Ontario M9W 5T4
 Tel: (416) 675-7760
 Fax: (416) 675-6988