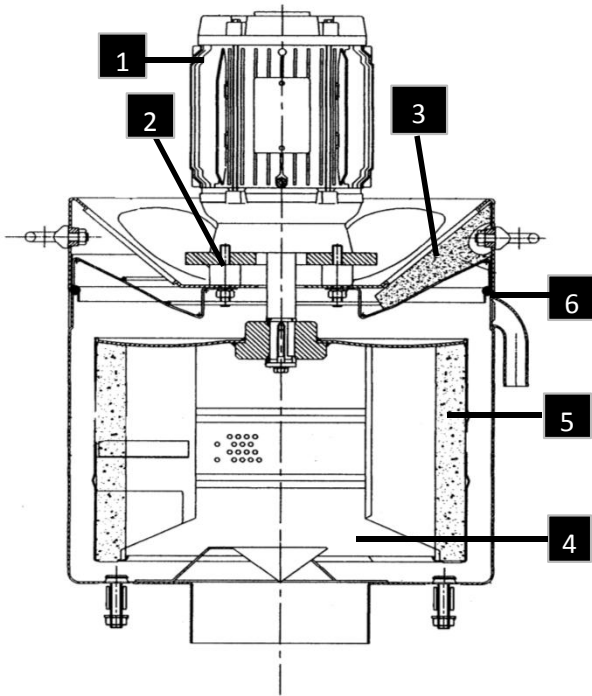
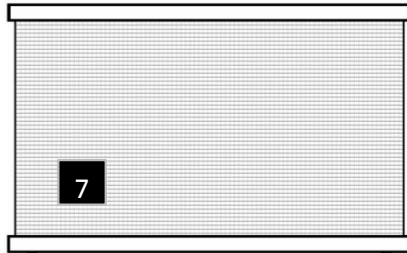


Product Installation Manual  
**Replacement Parts**



ITEM #	DESCRIPTION	MODEL #	PART #
1	Motor 230/460V	F275	2055TAV
		F600	5015TAV
		F9/1200	6022TAV
1	Motor 575V	F275	O55575
		F600	O15575
		F9/1200	O22575
2	Anti-vibration Mounts	F275	DBOF2530/7
		F6/9/1200	7000AVK
3	Silencer	F275	DBOF2510
		F6/9/1200	DBOF4510/7
4	Drum	F275	2004DRU
		F6/900	CASF750/8
		F1200	CASF1000/8
5	Drum Pad Sets	F275	DROF2500
		F6/900	DROF4500/8
		F1200	DROF2800/8
6	Seal	F275	DBOF2514/7
		F6/9/1200	DBOF1214/7
7	Afterfilters	F275	2300AFA
		F6/9/1200	7000AFA



**AMT MACHINE TOOLS LIMITED**  
 73 Galaxy Blvd., Units 16 & 17  
 Rexdale, Ontario M9W 5T4  
 Tel: (416) 675-7760  
 Fax: (416) 675-6988