



# DD 2X4

PORTABLE DOWNDRAFT TABLE



\* Selected Models



The DD 2X4 is a portable, reliable, and easy-to-use downdraft table for industrial duty applications. Now any fumes, smoke, or dust from your shop activities can be captured right as they are produced, before compromising your indoor air quality.

The table comes fitted with multi-stage spark arrestance baffles, industrial swivel casters, and a push-button reverse-pulse filter cleaning system to help reduce maintenance requirements. Choose from a 1.5HP 1500CFM single phase [120V] motor, or 3.0HP 2600CFM three phase [230/460/575V] for higher capture face velocity. Single phase models include a 15' power cord for plug & play convenience. Many options and accessories are available for the DD 2X4 downdraft table. This table can be built-to-order in almost any configuration.

Flexible, all-in-one, downdraft solution for dust, smoke, or fumes produced from welding, grinding, deburring, cutting, sanding, finishing, soldering, painting, or mixing.

### Features:

- Flexible 48" x 32" worksurface
- High capture face velocity (250fpm)
- Multi-stage spark arrestance baffling
- Industrial swivel-casters
- On-demand, reverse pulse cleaning system

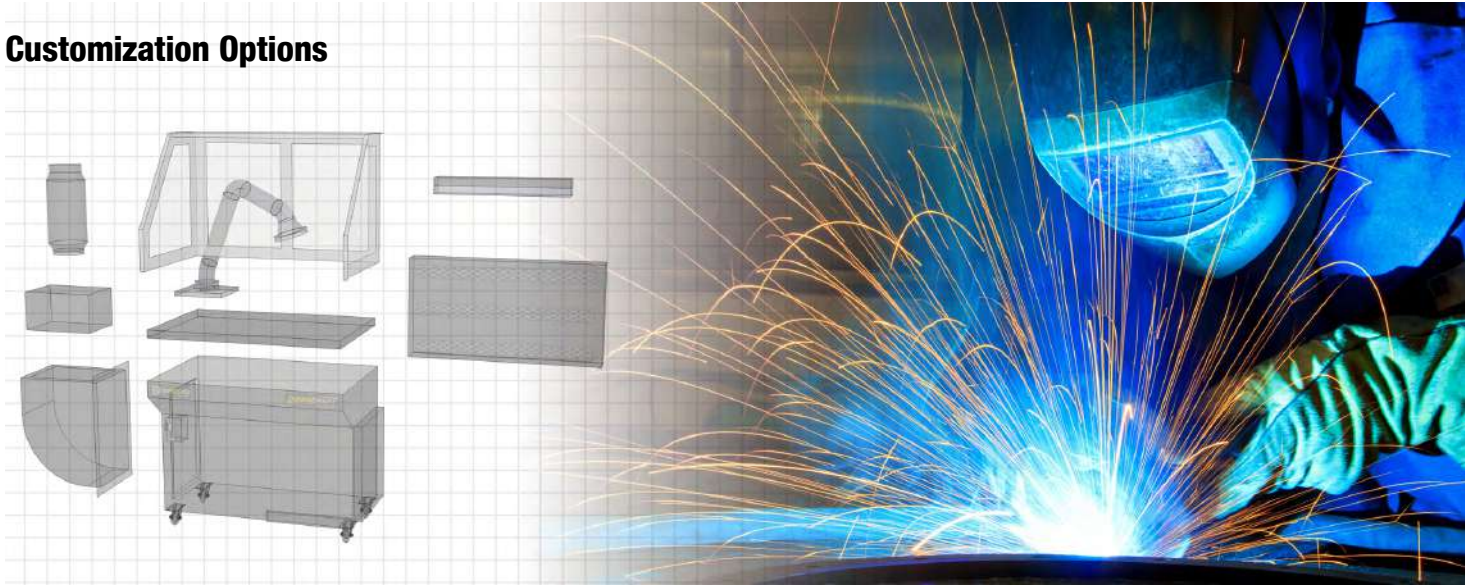
### Benefits:

- Simple to use, plug & play design
- Ultra-small footprint & no permanent ducting
- Complies with OSHA guidelines for safe capture of dust, smoke, and weld fumes



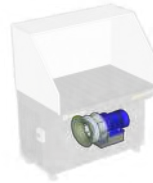


## Customization Options



### Lexan Side & Back Walls

Contain dust and fumes high over your table surface, enables users to trap particulate using 30" high see-through lexan side and back panels.



### 3HP Motor

The 3 Phase 3HP motor doubles the suction to 2600 CFM, allowing you to properly ventilate a backdraft hood or overcome the pressure from a HEPA or carbon filter.



### Hinged Side & Back Walls

Provide extra space for your work pieces, allow longer parts room to overhang your downdraft table by hinging out the side walls.



### Side Stack Silencer

Reduce the sound level of your air filtration unit. Silences noise in a duct muffler and projects it above the operator's hearing zone.



### Backdraft Hood

Capture dust and fumes high above your table surface, enables users to draw particulate back away from the operator when operating 12" or more above the downdraft work surface.



### 48" Booth Walls

Fully enclose your work area with 48" high side and back walls with a top plate. The clean air workstation booth also comes with a backdraft hood and dust-proof light kit.



### Dust-proof Light Kit

Illuminate your workspace and brighten your operations, the dust-proof light kit provides lighting without the risk of damaging the bulbs.



### Minihelic Gauge

Minihelic gauge measures pressure drop over the filters to indicate when the filters must be cleaned or replaced.



## Primary Filters

### NANOTECH XV

MERV 15 efficient cartridge filter captures particles at the submicron level, and surface-loading technology allows dust to be easily dislodged during cleaning with compressed air.



S-2X4-20NF

**EFFICIENCY:** MERV 15  
**FILTER MEDIA:** NANOFIBER  
**MEDIA AREA:** 149 SQ.FT.  
**COATING:** FIRE RETARDANT  
**END CAP:** OPEN/CLOSED  
**CLEANING METHOD:** COMPRESSED AIR  
**MAX TEMP:** 180° F / 82° C  
**FLANGE:** NONE

## After Filters

### HEPA

The HEPA cartridge filter captures particles at the submicron level, it provides the highest level of filtration efficiency 99.97% at 0.3 micron.



S-HEP-242412

**EFFICIENCY:** 99.97% AT 0.3 MICRON  
**FILTER MEDIA:** HEPA  
**MEDIA AREA:** 24" × 24" × 11½"  
**COATING:** NONE  
**END CAP:** N/A  
**CLEANING METHOD:** DISPOSABLE  
**MAX TEMP:** 175° F / 82° C  
**FLANGE:** NONE

### POLYTECH XI

High strength, high efficiency (MERV 11) cartridge filter made from 100% spun-bond polyester that lowers costs, by allowing for water-based cleaning of captured contaminants.



S-2X4-20PT

**EFFICIENCY:** MERV 11  
**FILTER MEDIA:** SPUNBOND POLY  
**MEDIA AREA:** 100 SQ.FT.  
**COATING:** WATER-REPELLENT  
**END CAP:** OPEN/CLOSED  
**CLEANING METHOD:** AIR + WATER WASH  
**MAX TEMP:** 180° F / 82° C  
**FLANGE:** NONE

### CARBOTECH 50

Reversible steel canister filled with 44 lbs of activated carbon to filter VOC fumes and odors. Double the filter life by flipping the canister top-to-bottom, allowing for adequate contaminant distribution through the media.



S-CCX-50R

**WEIGHT:** 44 LBS  
**FILTER MEDIA:** CARBON  
**MEDIA THICKNESS:** 2.6"  
**COVER:** 3/4" ANTIBACTERIAL  
**END CAP:** TWIST LOCK REMOVABLE  
**CLEANING METHOD:** NONE  
**MAX TEMP:** 175° F / 80° C  
**FLANGE:** NONE

**IMPORTANT :** If your equipment was purchased after November 15, 2018, a Replacement Filter Card, featuring filter details and simple instructions to easily order replacement filters, will be located on the filter door.

## Specifications

Product No.	Airflow (CFM)	Face Velocity (FPM)	Motor (H.P.)	Pre Filter Type	Primary Filter Type	After Filter Type	Input Power (v/p/hz)	F.L.A (amps)	Noise @5ft. (dB)	Power Cord (ft.)	Weight	
											Gross (lbs.)	Net (lbs.)
<b>WELDING, GRINDING, DEBURRING KIT</b>												
DD-2X4-015N1-WGD	1500	340	1.5	Metal-Mesh	Nano-Fiber	—	120v/1/60Hz	14.2	75dB@ 5 ft.	15	495	310
DD-2X4-030N2-WGD	2600	450	3.0	Metal-Mesh	Nano-Fiber	—	230v/3/60Hz	9.6	77dB@ 5 ft.	—	535	340
DD-2X4-030N4-WGD	2600	450	3.0	Metal-Mesh	Nano-Fiber	—	460v/3/60Hz	4.8	77dB@ 5 ft.	—	535	340
DD-2X4-030N5-WGD	2600	450	3.0	Metal-Mesh	Nano-Fiber	—	575v/3/60Hz	3.9	77dB@ 5 ft.	—	535	340
<b>CLEAN AIR WORK STATION</b>												
DD-2X4-030N2-CAW	2600	450	3.0	Metal-Mesh	Nano-Fiber	—	230v/3/60Hz	9.6	77dB@ 5 ft.	—	595	400
DD-2X4-030N4-CAW	2600	450	3.0	Metal-Mesh	Nano-Fiber	—	460v/3/60Hz	4.8	77dB@ 5 ft.	—	595	400
DD-2X4-030N5-CAW	2600	450	3.0	Metal-Mesh	Nano-Fiber	—	575v/3/60Hz	3.9	77dB@ 5 ft.	—	595	400
<b>VOC &amp; PAINT KIT</b>												
DD-2X4-030S2-SPR	2600	450	3.0	Paint arrestor	Poly	Activated Carbon	230v/3/60Hz	9.6	77dB@ 5 ft.	—	545	350
DD-2X4-030S4-SPR	2600	450	3.0	Paint arrestor	Poly	Activated Carbon	460v/3/60Hz	4.8	77dB@ 5 ft.	—	545	350
DD-2X4-030S5-SPR	2600	450	3.0	Paint arrestor	Poly	Activated Carbon	575v/3/60Hz	3.9	77dB@ 5 ft.	—	545	350
<b>PLASMA CUTTING KIT</b>												
DD-2X4-030N2-PLA	2600	450	3.0	Gravel Bed	Nano-Fiber	—	230v/3/60Hz	9.6	77dB@ 5 ft.	—	545	350
DD-2X4-030N4-PLA	2600	450	3.0	Gravel Bed	Nano-Fiber	—	460v/3/60Hz	4.8	77dB@ 5 ft.	—	545	350
DD-2X4-030N5-PLA	2600	450	3.0	Gravel Bed	Nano-Fiber	—	575v/3/60Hz	3.9	77dB@ 5 ft.	—	545	350



**Welding, Grinding & Deburring Kit:**

- Side and back walls
- Metal mesh pre-filter
- Grounding lug



**Plasma Cutting Kit:**

- 2" high steel bar grating
- Slag collection baffle with 3/4" gravel
- Metal mesh pre-filter



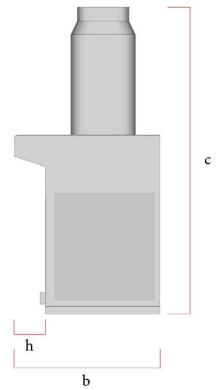
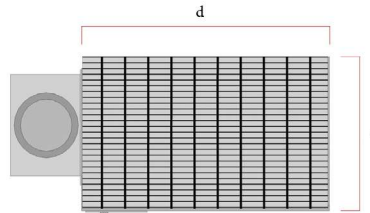
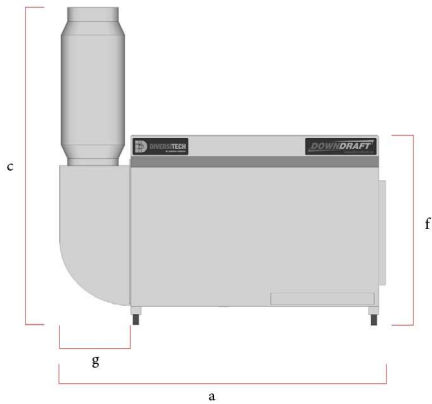
**VOC & Paint Kit:**

- Side and back walls
- Paint arrestor pre-filter
- Reversible carbon canister afterfilter



**Clean Air Workstation:**

- Side and back walls (48" high w/top cover)
- Dust & vapor proof light kit
- Backdraft hood



**Dimensions \*\***

Model	Exhaust Diameter (in.)	Footprint (in.)			Worksurface (in.)		Table Height [f]	Net Weight (lbs.)	Exhaust [g]	Overhang [h]
		Width [a]	Height [c]	Length [b]	Width [d]	Length [e]				
<b>Downdraft Tables, Standard Size</b>										
DD-2X4 1.5 HP	---	49.5	39	32.5	48	32	39.5	300	10.5	8
DD-2X4 3 HP	8" x 1	60	69.5	32.5	48	32	39.5	300	10.5	8
<b>Downdraft Tables, extended overhang</b>										
DD-2X4-EO 1.5 HP	---	49.5	39	38.5	48	38	39.5	310	10.5	12
DD-2X4-EO 3 HP	8" x 1	60	69.5	38.5	48	38	39.5	310	10.5	12

\*\* Product dimensions are based on base-models and may vary depending on selected product features. Please contact us for an accurate shipping quote.

**HEAD OFFICE**

1200 55<sup>th</sup> Avenue  
Montreal, QC H8T 3J8

**DISTRIBUTION CENTERS**

**CANADA** Montreal, QC Toronto, ON  
**UNITED STATES** Trenton, NJ Chicago, IL Reno, NV



An Absolent Group Company

1-800-361-3733

info@diversitech.ca



**AMT Machine Tools LTD.**  
Canadian Distributor

73 Galaxy Blvd. Units 16 & 17, Rexdale, Ontario - M9W 5T4  
Office: 416-675-7760 | Fax: 416-675-6988  
www.AMTmachine.com | sales@amtmachine.com