

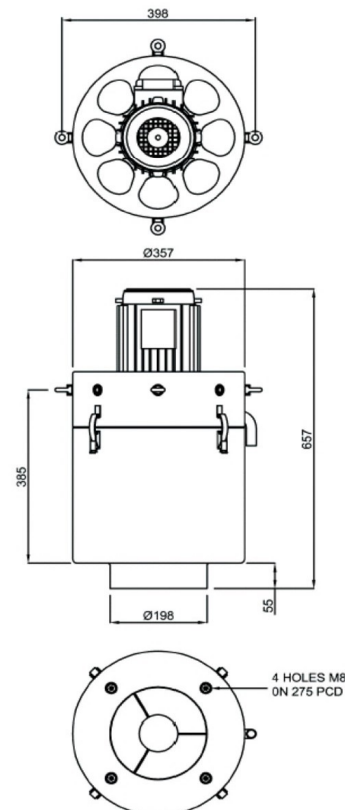
MODEL FX5002





FX5002 Specifications	
Airflow	1200 CFM
Motor	2.2 kW, 3 Phase, 50/60 Hz
	208V
	230V
	460V
Weight	29 Kg.
	72 dBA
Noise Level	8"
Inlet Diameter	

FX5002 Mounting Options	
Direct Mount	use 5000DMK Direct Mounting Kit
Floor Stand	specify height required
Wall Mount	use BACS46 Bracket
Machine Side Mount	use BACS46 Bracket
Suspended	use BACS20 Suspension Kit

- Used on open machines and larger CNC Machines
- Designed for mounting on a stand next to the machine where top of machine installation is not possible
- Can also be mounted directly on top of machines or on a mounting bracket
- Y Junction can be used where more than one intake point is required



Model FX5002

Description		Part No.
	FX5002 FiltermistXcel Unit Motor – 230/460/3/60	FX5002 230/460
	FX5002 FiltermistXcel Unit Motor – 575/3/60	FX5002 575
Stainless Steel Models available upon request		

FX5002 Accessories

Description		Part No.
	Afterfilter Collects dry smoke.	3000AFA
	Direct Mounting Kit Includes foam collar, mounting studs and hardware.	5000DMK
	Mounting Bracket Used to mount unit on side of machine or on a wall.	BACS46
	Mounting Stand Used to mount unit next to machine. Specify height.	Stand - specify height
	Oil Return Hose Returns oil to machine. Sold by the foot.	BACD11
	Flexible Ducting Oil resistant hose with wire reinforcement. 4", 6", 8" dia.	<div style="border: 1px solid black; padding: 2px;"> 4" Dia. BACD14 6" Dia. BACD16 8" Dia. BACD18 </div>
	Hose Clamps Used to connect flexible hose to accessories.	<div style="border: 1px solid black; padding: 2px;"> 4" Dia. BACC14 6" Dia. BACC16 8" Dia. BACC18 </div>
	Y Adaptors For multiple collection points. Available in: 4"x4"x4", 6"x4"x4" or 8"x6"x6".	<div style="border: 1px solid black; padding: 2px;"> 4"x4"x4" BACY44 6"x4"x4" BACY64 8"x6"x6" BACY86 Other sizes on request. </div>
	Flanged Adaptors To secure ducting to a machine. Available in 4", 6", 8" diameters.	<div style="border: 1px solid black; padding: 2px;"> 4" Dia. BACA14 6" Dia. BACA16 8" Dia. BACA18 </div>
	Fishtails For collection on open machines. 4", 6", 8" diameters.	<div style="border: 1px solid black; padding: 2px;"> 4" Dia. BACH14 6" Dia. BACH16 8" Dia. BACH18 </div>

