

Filtermist Oil Mist Collectors S Series (Oil Mist Filter)

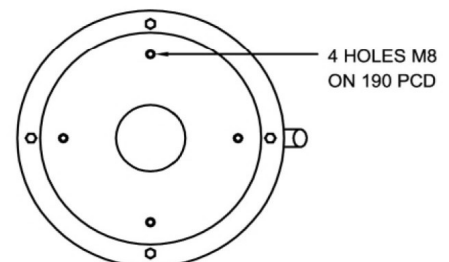
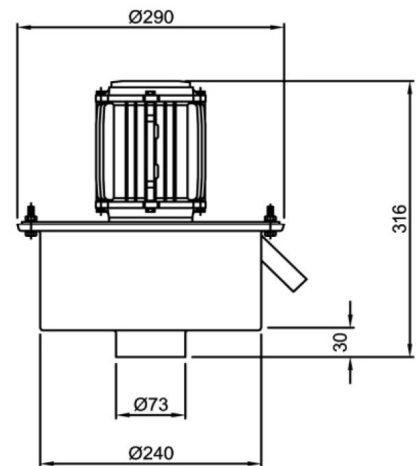
MODEL S200





S200 Specifications	
Airflow	125 CFM
Motor	.18 kW, 3 Phase, 50/60 Hz 208V 230V 460V 575V
Weight	9 Kg.
Noise Level	62 dBA
Inlet Diameter	3"

S200 Mounting Options	
Direct Mount	Hardware included
Floor Stand	specify height required
Wall Mount	use BACS26 Bracket
Machine Side Mount	use BACS26 Bracket
Suspended	N/A

- Used primarily on very small enclosed CNC Machines
- Designed for direct mounting on the top of machine for hassle free installation
- Can also be mounted on a stand or mounting bracket where space on top of the machine is limited
- Unit comes complete with collar seal, mounting hardware and oil return hose



Model S200

Description		Part No.
	S200 Filtermist Unit Complete with all mounting hardware for direct mounting. Motor – 230/460/3/60	S200 230/460
	S200 Filtermist Unit Complete with all mounting hardware for direct mounting. Motor – 575/3/60	S200 575
Stainless Steel Models available upon request		

S200 Accessories

Description		Part No.
	Afterfilter Collects dry smoke.	200AFAM
	Mounting Bracket Used to mount on side of machine or on a wall.	BACS26
	Mounting Stand Used to mount unit next to machine. Specify height.	Stand - specify height
	Oil Return Hose Returns oil to machine. Sold by the foot.	BACD11
	Flexible Ducting Oil resistant hose with wire reinforcement. 4", 6", 8" dia.	3" Dia. BACD13 4" Dia. BACD14 6" Dia. BACD16
	Hose Clamps Used to connect flexible hose to accessories.	3" Dia. BACC13 4" Dia. BACC14 6" Dia. BACC16
	Y Adaptors For multiple collection points. Available in: 4"x4"x4", 6"x4"x4" or 8"x6"x6"	3"x3"x3" BACY33 6"x3"x3" BACY63 6"x4"x4" BACY64 Other sizes on request.
	Flanged Apaptors To secure ducting to a machine. Available in 4", 6", 8" diameters.	3" Dia. BACA13 4" Dia. BACA14 6" Dia. BACA16
	Fishtails For collection on open machines. 4", 6", 8" diameters.	3" Dia. BACH13 4" Dia. BACH14 6" Dia. BACH16

